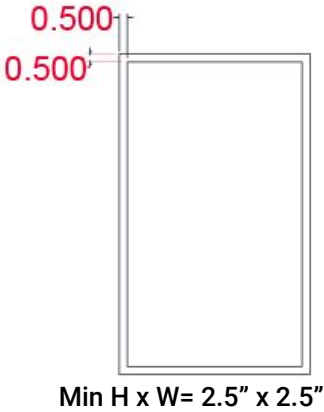
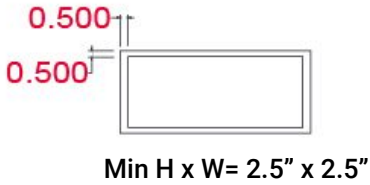
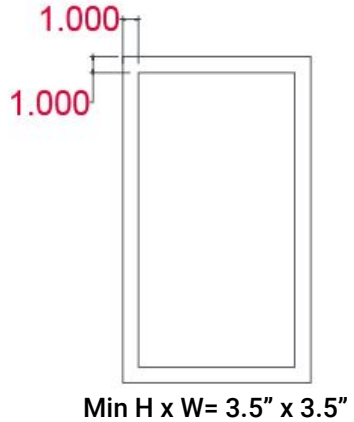
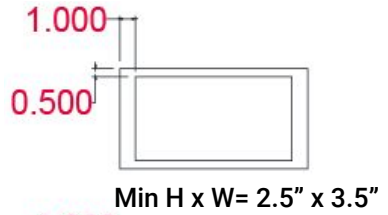


SPECS

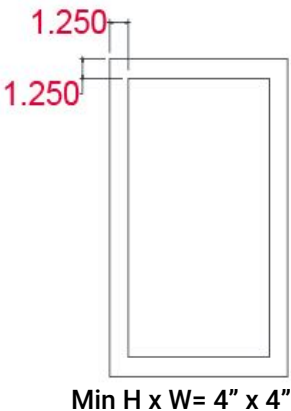
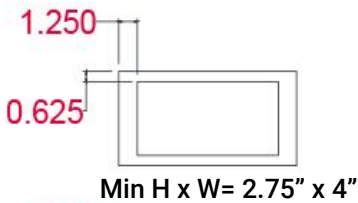
½" SLIM SHAKER



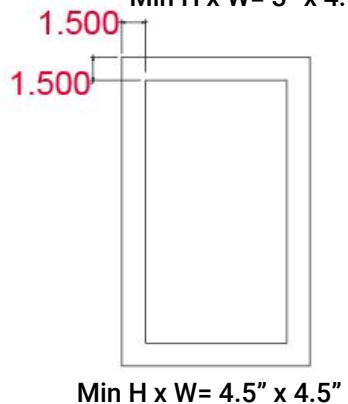
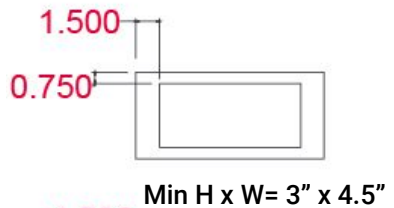
1" SLIM SHAKER



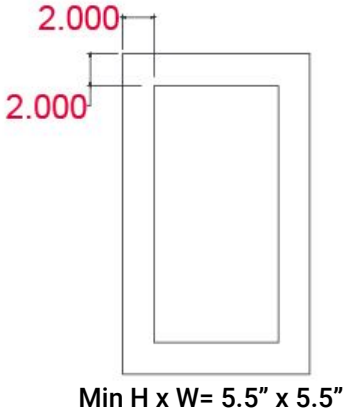
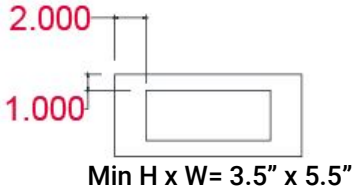
1 ¼" SLIM SHAKER



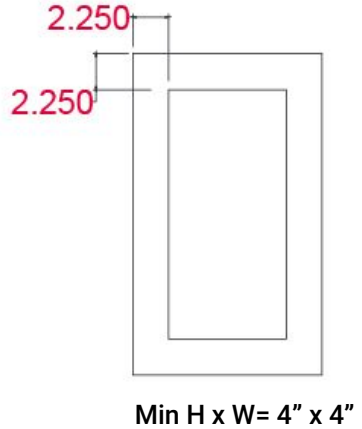
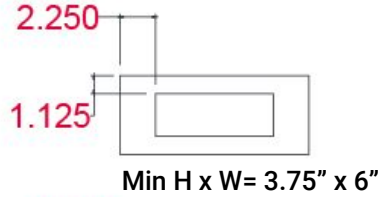
1 ½" SLIM SHAKER



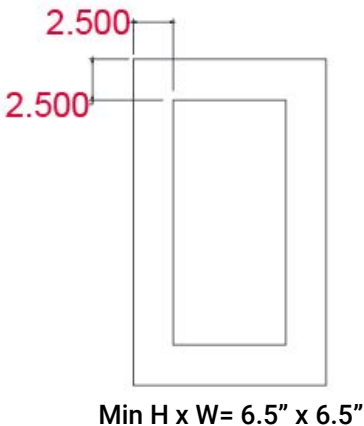
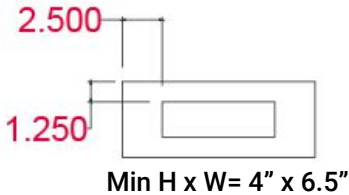
2" SHAKER



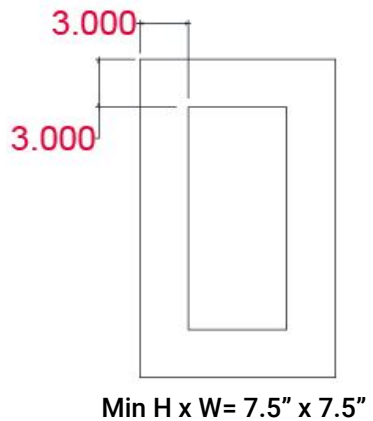
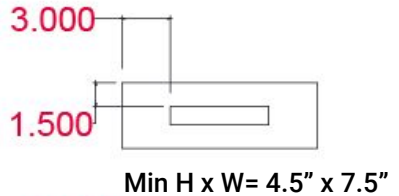
2 ¼" SHAKER



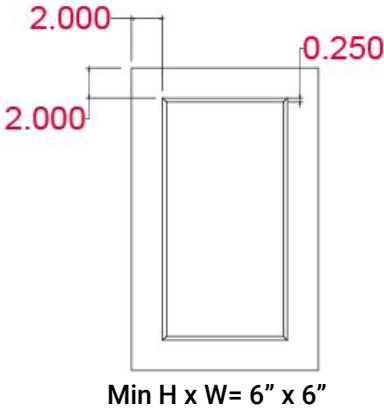
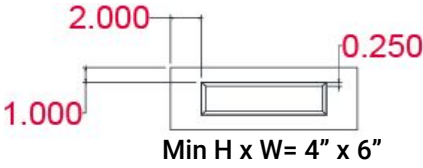
2 ½" SHAKER



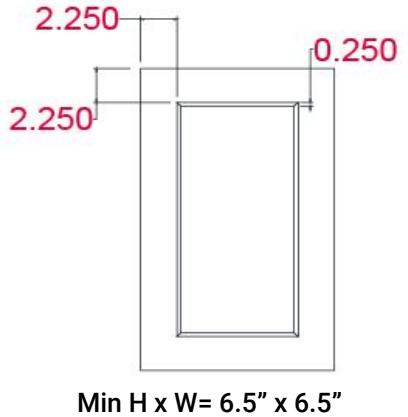
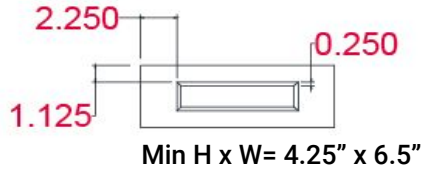
3" SHAKER



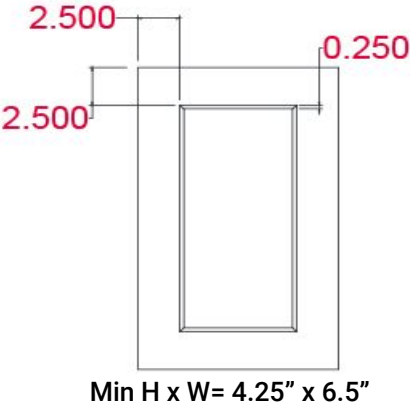
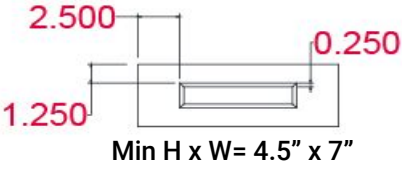
2" BEADED & CHAMFER



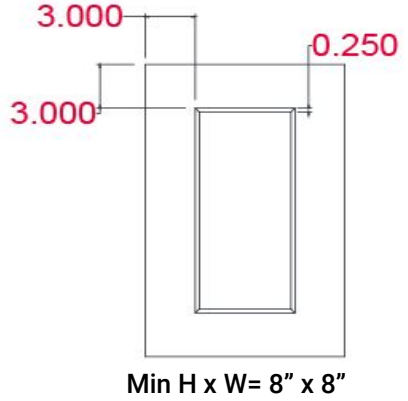
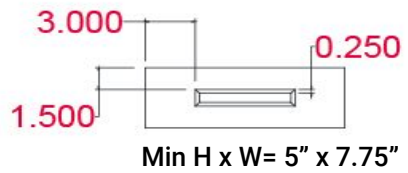
2 1/4" BEADED & CHAMFER



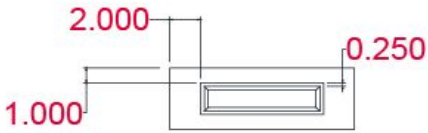
2 1/2" BEADED & CHAMFER



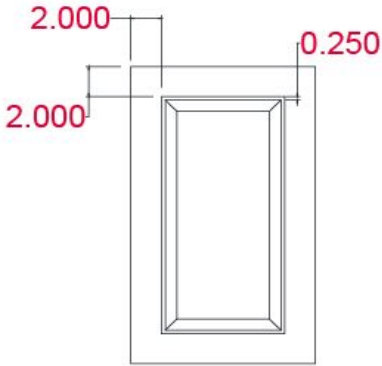
3" BEADED & CHAMFER



2" RAISED PANEL

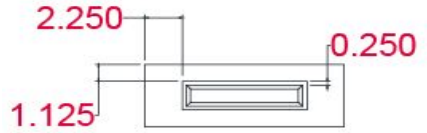


Min H x W= 6" x 8"

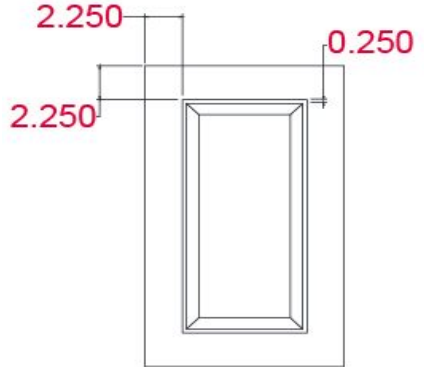


Min H x W= 8" x 8"

2 ¼" RAISED PANEL

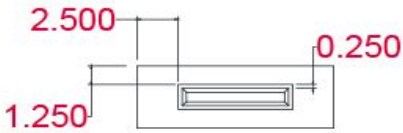


Min H x W= 6.25" x 8.5"

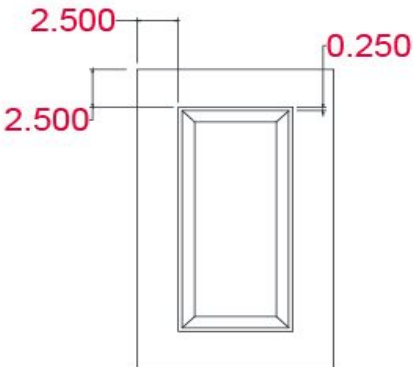


Min H x W= 8.5" x 8.5"

2 ½" RAISED PANEL

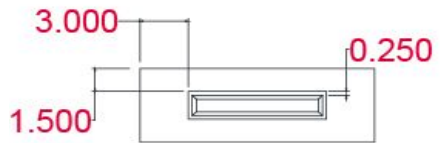


Min H x W= 6.5" x 9"

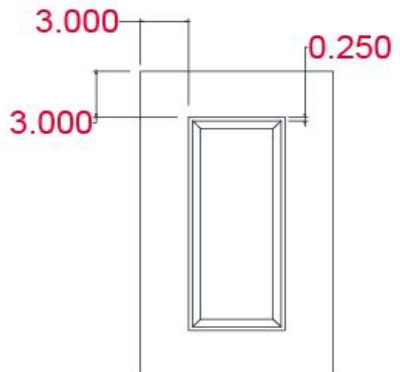


Min H x W= 9" x 9"

3" RAISED PANEL

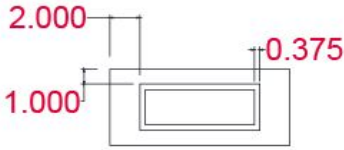


Min H x W= 7" x 10"

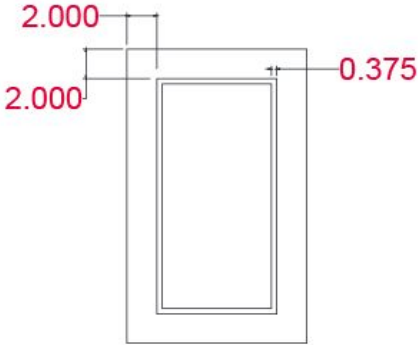


Min H x W= 10" x 10"

2" STEPPED

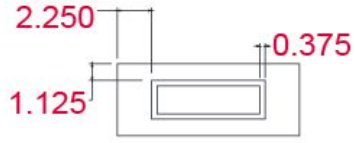


Min H x W= 4.25" x 6.25"

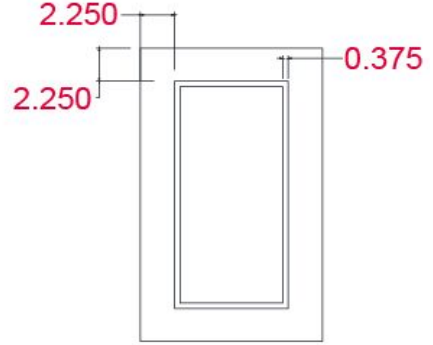


Min H x W= 6.25" x 6.25"

2 ¼" STEPPED

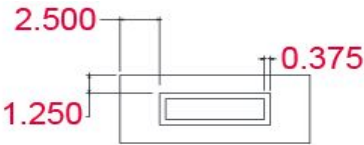


Min H x W= 4.5" x 6.75"

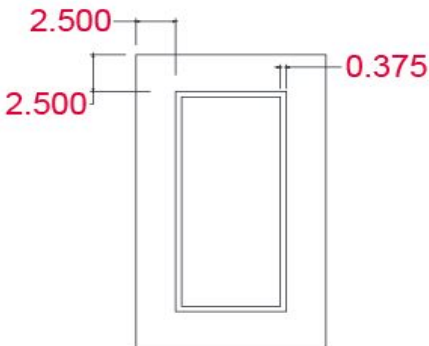


Min H x W= 6.75" x 6.75"

2 ½" STEPPED

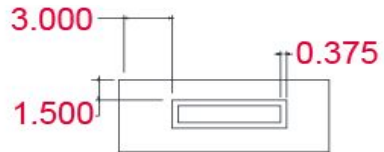


Min H x W= 4.75" x 7.25"

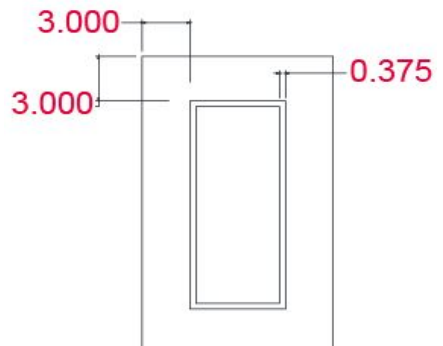


Min H x W= 7.25" x 7.25"

3" STEPPED

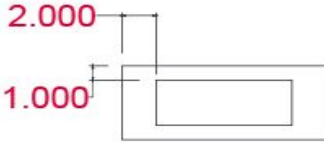


Min H x W= 5.25" x 8.25"

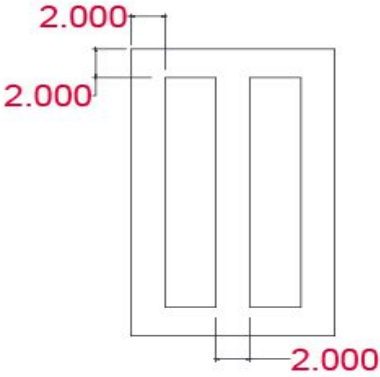


Min H x W= 8.25" x 8.25"

2" SPLIT SHAKER

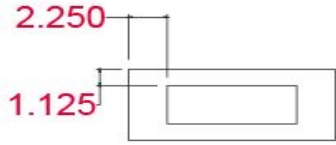


Min H x W = 3.5" x 5.5"

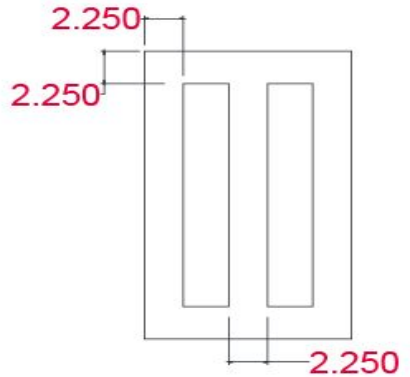


Min H x W = 5.5" x 9"

2 ¼" SPLIT SHAKER

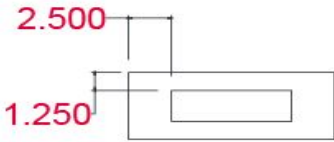


Min H x W = 3.75" x 6"

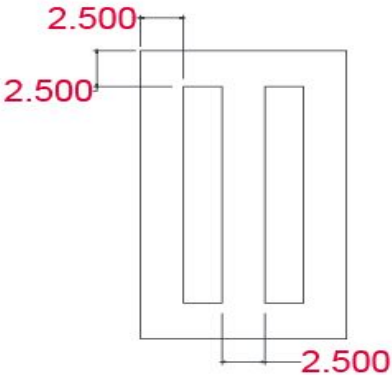


Min H x W = 6" x 9.75"

2 ½" SPLIT SHAKER

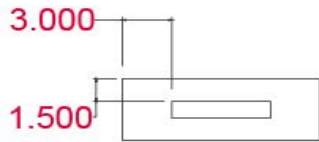


Min H x W = 4" x 6.5"

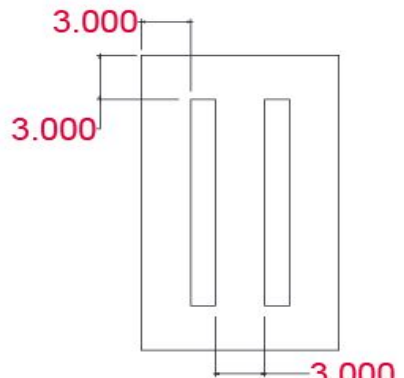


Min H x W = 6.5" x 10.5"

3" SPLIT SHAKER



Min H x W = 4.5" x 7.5"



Min H x W = 7.5" x 12"